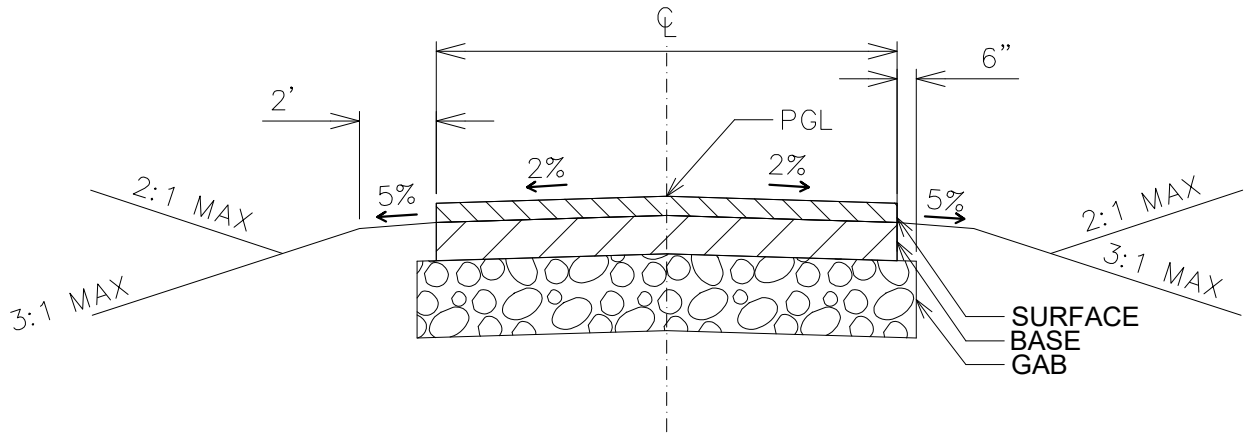
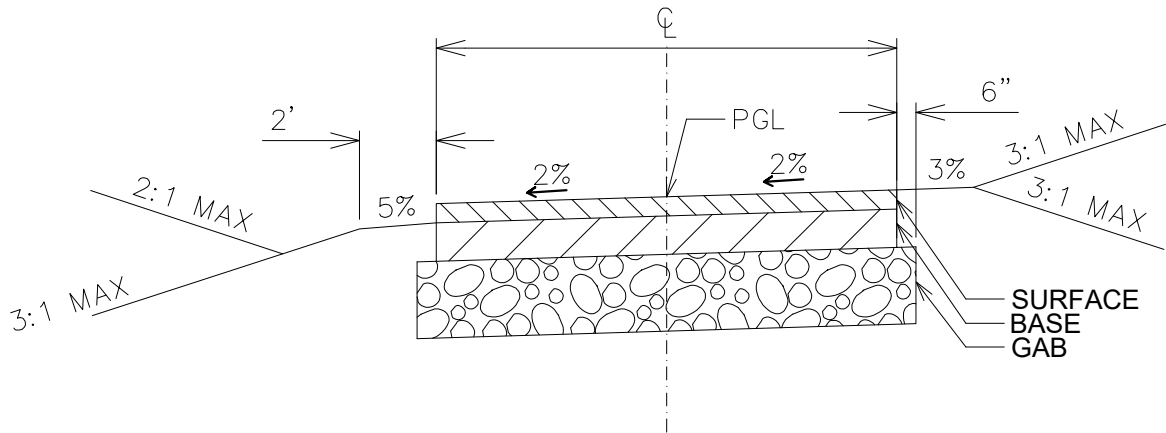


CENTER CROWN



STRAIGHT PLANE



NOTES:

1. REFER TO DESIGN DETAILS AND GENERAL NOTES ON UIC PLATES 2-9.
2. MINIMUM WIDTH OF A UIC DRIVEWAY IS 12' WIDE.

CARROLL COUNTY, MARYLAND DEPARTMENT OF PLANNING AND LAND MANAGEMENT	USE IN COMMON DRIVEWAY TYPICAL SECTIONS	PLATE NO.
		UIC 1
ISSUED:	REVISED:	
REVISED:	REVISED:	